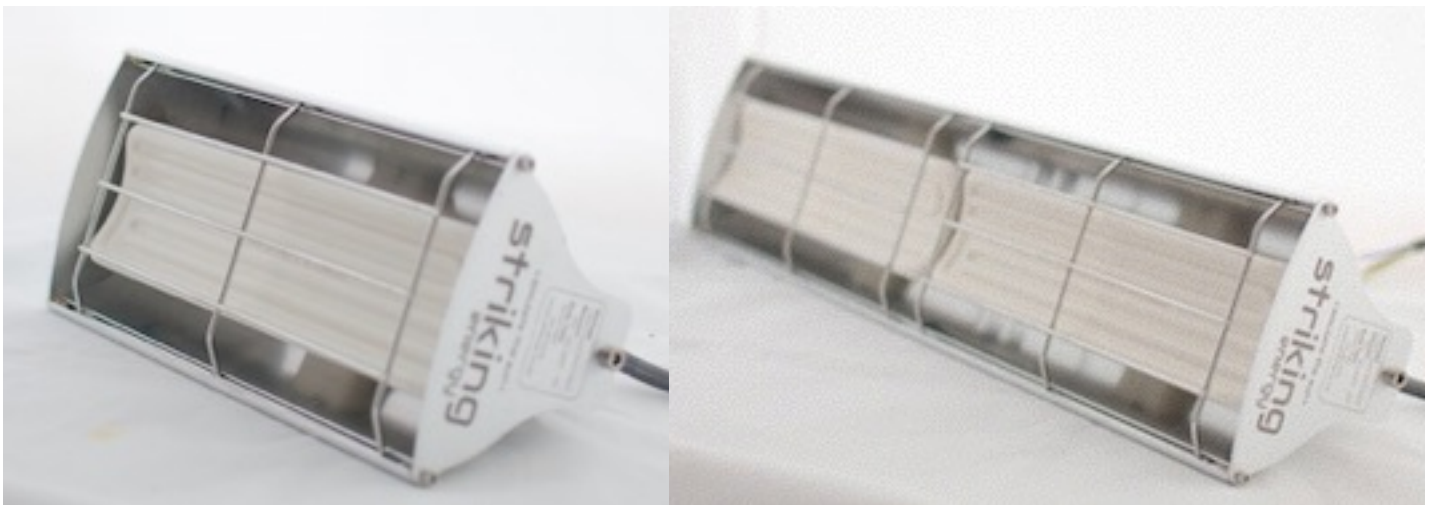


## G2 No Glare Ceramic Heaters

### Models

G2 1000 NG, G2 2000 NG

\*All models are available in Bright Silver



### Features

- 5 Year warranty on the body
- Integrated uni-body reflector
- Manufactured in South Africa. Parts locally available.
- Unique reflector design resulting in cost effective heat reflection.
- High grade Aluminium and Stainless steel construction. No powder coated mild steel that chip rust and flake.

### Applications

- Restaurants & Hotels with no visible light requirement
- Guard houses, offices
- Residential homes



### Safety and certification

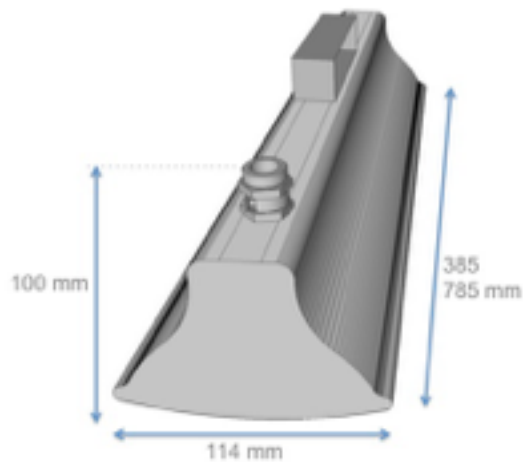
- Striking Energy Infrared heaters are locally manufactured using the highest quality components. The basic construct of the heater body is to house the element and reflect the infrared rays.

- Our heaters are classified as electrical appliances and the correct installation is therefore mandatory.
- The effects of infrared radiation on humans are normally only of a purely thermal nature-- meaning that they warm you. The potential hazards of infrared heat bulbs, lamps, and radiators are mainly to your skin and eyes. Because of the intense and radiant heat emitted, skin can burn rather quickly. However, any overheating or burning will be noticed fairly immediately because of a violet coloured skin reaction, preventing any further damage because once you see your skin turn purple, you usually move away from the lamp's rays.
- These lamps emit less than 1% UV A and B and will not pose any danger associated with this type of ray.
- If an infrared radiator is touched, severe burns can result.
- 75% of the Infrared heat is radiated forward. The remaining 25% warms up the aluminium housing of the heater that then act as a heat sink. If kept clean and installed by a qualified person, the heater housing pose no threat to the installed surface (e.g. burning, chipping etc.) Paint discolouration could occur on certain paints after years of usage. This is normal and will happen in direct sunlight as well.
- If the heaters are installed in such a way that birds can construct nests on them, it could lead to a potential fire when switched on. Keep the heaters clean at all times.

## Technical Specifications

### Models

G2 1000 NG  
G2 2000 NG



	G2 1000 NG	G2 2000 NG
Max wattage	1 000 watt	2 000 watt
Dimensions	260 x 115 x 70mm	510 x 115 x 70mm
Number of elements	1	2

LampType / Wattage	385mm Short Body	785mm Long Body
Material	Aluminium (6063,1200H4), Stainless Steel 304 Safety grid: Electro polished Stainless Steel	
Electrical requirements	230 Volt 50 Hz 1000watt - 6 Amp	230 Volt 50 Hz 2000watt - 9 Amp
Burning position	Horizontal as well as vertical position.	
Element Life	20 000 hrs rated by manufacturer	
Electrical Cable	3 Core 1,5mm Silicone heat resistant cable. Open ended	3 Core 1,5mm Silicone heat resistant cable. Open ended
Warranty	5 Years on body	