

## ShortWave Space Heaters

### Models

G2 1500 R, G2 2000 R, G2 3000 R, G2 4000 R  
G2 1500 ULG, G2 2000 ULG, G2 3000 ULG, G2 4000 ULG

### Features

- 5 Year warranty on the body
- Integrated uni-body reflector
- Manufactured in South Africa. Parts available locally.
- Unique reflector design resulting in cost effective heat reflection.
- High grade Aluminium and Stainless steel construction. No powder coated mild steel that chip rust and flake.

### Applications

- Restaurants & Hotels,
- Homes, Bathrooms, Patios
- Schools, Halls
- Factories, warehouses
- Greenhouses and other Agricultural

## Instruction Manual

### Safety / Cautions: :

- The appliances must be installed by a qualified electrician according to the legal regulations as published.
- The heater must always be earthed.
- If the heater is installed without a plug, or with other means for disconnection from the supply, a double pole isolator should be used.
- The heater must not be installed in a recessed area. It must always be surface mounted and allow for proper ventilation. Do not allow any heat build-up.
- The minimum ventilation openings around the heater, after installation, must be 150mm from the top and sides and at least 1500mm away from any combustible materials (curtains, paper etc)
- Remove the foam that protects the lamp during transit before operating the heater.
- The heater MUST be installed above 1800mm from the floor surface.
- Ensure that the heater is properly fixed using the supplied swivel bracket.
- Permanent wall plugs and or screws should be used.
- Do not use any form of adhesive tape or temporary fixing.
- If the supply cord is damaged, it must be replaced by the manufacturer, its service agent or similarly qualified persons in order to avoid a hazard.
- When installed in a bathroom / Jacuzzi area, installed in such a way that the heater, switches and other controls cannot be touched by a person in the bath

## **Installation on a portable stand**

- Do not use this heater in the immediate surroundings of a bath, a shower or a swimming pool.
- DO not use the portable stand indoors or near any combustible materials, couches, carpets etc.
- Ensure that the electrical cable is secure and not crossing any walkways.

## **Safety Cautions: Operations**

- This appliance is not intended for use by persons (including children) with reduced physical, sensory or mental capabilities, or lack of experience and knowledge, unless they have been given supervision or instruction concerning use of the appliance by a person responsible for their safety.
- Children should be supervised to ensure that they do not play with the appliance.
- Do not cover or obstruct the heater at any time
- Do not use this heater with a programmer, timer, separate remote-control system or any other device that switches the heater on automatically, since a fire risk exists if the heater is covered or positioned incorrectly.
- The fireguard grill does not give full protection for young children and for infirm persons.
- Do not insert any object through the front grid or opening in the heater.
- Do not leave the heater unattended. Always switch off before leaving the room/area.
- Do not stare at the element while switched on. Prolonged staring at the element can cause damage to the eyes.
- Keep combustible materials such as furniture, papers, clothes and curtains at least 1500mm away from the front of the heater.
- The heater can be used outside BUT must be sheltered from any rain / water.
- The heater is NOT waterproof.
- Disconnect from the mains during installation, cleaning and/or replacing the element.
- To avoid risk of burns, always ensure that the element and heater body had time to cool down before cleaning.
- Do not handle the halogen element with bare hands. If it is inadvertently touched, remove finger marks with a soft cloth and methylated spirit or alcohol.
- Otherwise, the marks will burn into the element causing premature heater failure.
- Do Not touch the element with any object (incl. cigarette)

## **Installation**

- Remove the heater from the packaging
- Remove the protected foam behind the element inside the heater. Be sure NOT to touch the element with bare hands
- Remove the 2 x 6mm hex bolts both sides of the swivel bracket at the back of the heater.
- Position the U shaped portion of the swivel bracket with the 2 x 6mm holes at the correct position as per the safety instructions under paragraph 1.
- Fix the U shaped portion permanently with either 2 x plastic wall plugs and screws in the wall or ceiling or 2 x screws in wood through the 2 x 6mm holes on the swivel bracket
- Re-attached the heater to the swivel bracket with the 2 x 6mm hex bolts.
- Focus the heater in the desired position and tighten the bolts.
- Connect the electrical wire to the supply.
- The recommended installation height is as follows:
  - 1500, 2000 watt models: 1800 – 2500mm above floor height
  - 3000, 4000 watt models: 2500mm – 4000mm above floor height

## **Cleaning the heater**

- Ensure that you have disconnected the heater from the electrical supply and that the units has sufficiently cooled down
- If it is only dust on the inside, you may clean the inside by blowing compressed air over the surface.
- Remove the fire grid in front of the heater by pulling it carefully to the front.
- Unclip one side first.
- General dishwasher soap and water will clean the inside and outside of the body.
- Be sure not to touch the element with bare hands.
- Should you accidentally touch the element, clean the element with a paper towel dipped in either an alcohol or Cutex remover (acetone). Any fatty / soapy marks on the element will permanently damage the element when switched on.
- Clean the inside of the heater at least annually to remove any dust and dirt build-up. This will ensure optimal reflection of the infrared beams.

## Replacing the element (Tools required: Pliers, 2.5mm and 4mm Allen Key, Philips screwdriver.)

1. Disconnect the power supply and ensure that the element is not illuminated and that the heater body and element are cool.
2. Unscrew the 2 screws on the electrical gland (metal part where the electrical cable enters the heater) until the wire can move freely.
3. Unscrew the 4mm and 2 x 2.5mm Cup screws on the side plate opposite to the electrical connection
4. Optional: You could remove the grid by pressing in the centre and unclip it or slide it out to the side.
5. Slowly pull the lamp slider out of the body (the piece of aluminium that holds the element) while feeding the electric cable.
6. Be careful not to pull too hard on the cable.
7. Unscrew the two ceramic connectors at the back and separate the two wires that were connected by the connectors.
8. Remove the old element from the clips by closing the split pins with the pliers.
9. Remove your new element from its box and cut and clean the wires to the same length as the old element.
10. Slowly and carefully insert the new element into the clips. BE CAREFUL NOT TO TOUCH THE ELEMENT WITH YOUR BARE HANDS. Use gloves / tissue paper if necessary.

### Assemble

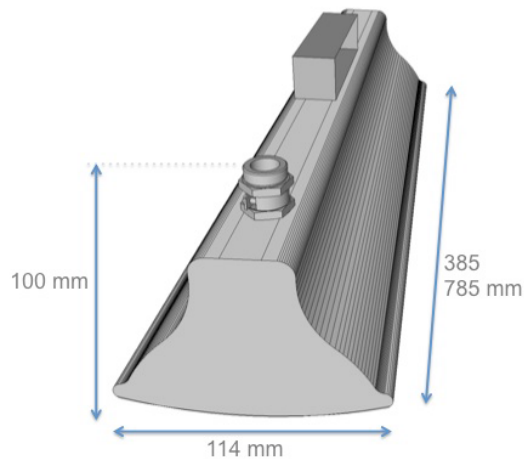
1. Replace the split pins and bend open.
2. Connect the new wires with the same ceramic connectors. Ensure that they “screw / cut” into the new wires for a secure connection
3. Feed the cable back through the gland from the inside.
4. Slide the lamp holder back into the body, while pulling on the electrical cable
5. Secure the side plate with the 3 cup screws, Tighten the cable and replace the grid.



## Technical Specifications

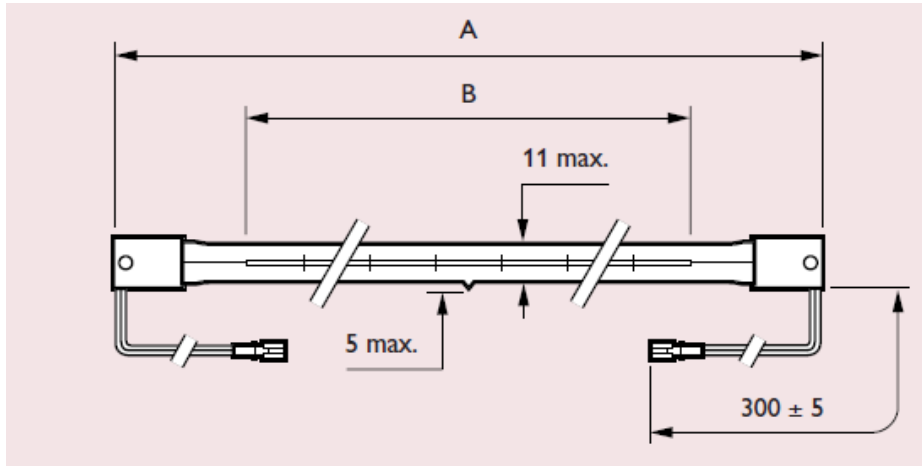
### Models

G2 1500 R, G2 2000 R,  
G2 3000 R, G2 4000 R  
G2 1500 ULG, G2 2000 ULG,  
G2 3000 ULG, G2 4000 ULG



LampType / Wattage	385mm Short Body	785mm Long Body
Ruby Red Range	1500 watt 2000 watt	3000 watt 4000 watt
UltraLowGlare Range	1500 watt 2000 watt	3000 watt 4000 watt
Material	Aluminium (6063,1200H4), Stainless Steel 304 Safety grid: Electro polished Stainless Steel	
Electrical requirements	230 Volt 50 Hz 1500watt - 7 Amp 2000watt - 9 Amp	230 Volt 50 Hz 3000watt - 14 Amp 4000watt - 18 Amp
Overall Dimensions (Width x Height x Depth)	385 x 114 x 100mm	785 x 114 x 100mm
Burning position	Horizontal as well as vertical position.	
Element Life	Half life of 5000 hrs rated by manufacturer	
Electrical Cable	3 Core 1,5mm Silicone heat resistant cable. Open ended	3 Core 2,5mm Silicone heat resistant cable. Open ended
Warranty	5 Years on body	

## Heating Element



The latest version and instructions available on [www.striking.co.za](http://www.striking.co.za)

VERSION 1.2 March 2015  
© Striking Energy